

Data Sheet

DHCE 8/50

STIEBEL ELTRON

Technik zum Wohlfühlen

Instantaneous Single Phase Electric Water Heater

Delivers hot water not exceeding 50°Celsius
in accordance with AS3498*



The advantages

- › Electronically controlled to save energy and water
- › Temperature selection up to a maximum of 50°Celsius in accordance with AS3498*
- › No external temperature control device required*
- › Ideal for low flow applications with a switch on flow rate of only 1.5L/min
- › Three selectable temperatures for greater convenience, note that output temperature will be impacted by cold water inlet temperature
 - › ● : 40°C
 - › ●● : 45°C
 - › ●●● : 50°C
- › No flue, ventilation or safe tray required
- › Compact design for space saving installation flexibility
- › Available in electrical size:
 - › DHCE 8/50 - 9.5kW, 40 Amps per phase, single phase 240V
- › WaterMark approved, licence number WMKA21273, AS3498



Ideal installation areas[^]

- › Sink
- › Basin

For more information on the right Stiebel Eltron water heater for your project please contact our Technical Services Department on free call 1800 153 351 (Australia).

*This appliance delivers hot water not exceeding 50°Celsius in accordance with AS3498. Refer to AS/NZS3500.4, local requirements and installation instructions to determine if additional delivery temperature control is required.

[^]Dependent on model selected

Data Sheet

DHCE 8/50

STIEBEL ELTRON

Technik zum Wohlfühlen

Instantaneous Single Phase Electric Water Heater

Delivers hot water not exceeding 50°Celsius
in accordance with AS3498*

SINGLE PHASE ELECTRIC

Model number	DHCE 8/50
Rated output (240V)	9.5kW
Rated current (240V)	40 Amp
Phases	1/N/PE/AC 220..240V
Electrical installation	As per AS/NZS3000
Installation requirements	AS/NZS3500.4.2 & local requirements
Switch on flow rate	1.5 L/min
Permissible operating pressure	1000 kPa
Temperature adjustment	●40°C ●● 45°C ●●● 50°C
IP Rating	IP25
Height	360 mm
Width	200 mm
Depth	110 mm
Weight (filled with water)	2.45 kg
Colour	silver look
Nominal capacity	0.45L
Approvals	WaterMark Lic No. WMKA21273. AS3498
Equipment	
For one/several draw off points	Yes/Yes
Heating system	Tubular
Electronic flow rate control	-
Electronic air detection system	-
Accepts pre-heated water (solar)	-
Programmable temperature	-
Wellness shower programs	-
ECO energy & water function	-
Optional accessories	
Radio remote control primary	-
Radio remote control secondary	-

Selecting the right Stiebel Eltron instantaneous water heater

Thank you for considering the Stiebel Eltron instantaneous water heater, with over 90 years of hot water technology experience we are sure you will be happy with your choice of a Stiebel Eltron instantaneous water heater.

The temperature rise table will assist you in determining the appropriate size of instantaneous water heater required for your application. The required temperatures at specific flow rates will determine the size of system needed. Our customer support representatives can be contacted on our free call number 1800 153 351 to assist in selecting the appropriate system/systems for your project.

Installation close to the point of use

The Stiebel Eltron DHCE instant water heaters compact design allows for ease of installation close to the point of use. In order to minimise thermal losses in the pipe work the water heater should be installed as close to the point of use as possible.

Electrical installation

This water heater must be installed in accordance with AS/NZS3000 electrical regulations by a qualified installer.

Plumbing installation

This water heater must be installed in accordance with AS/NZS3500.4.2 and local authority regulations by a qualified installer.

Warranty

For full warranty information please visit www.stiebel.com.au.

Technical Support

Stiebel Eltron (Aust) Pty Ltd
Free Call (Australia): 1800 153 351
Telephone: (03) 9645 1833
Website: stiebel.com.au

Temperature rise chart^ DHCE 8/50

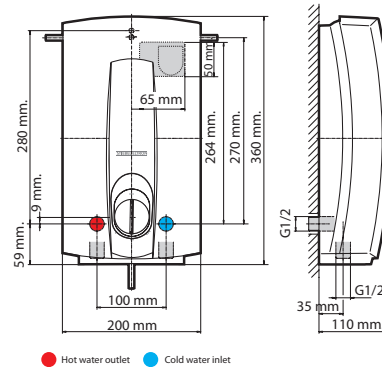
Add the below temperature to the cold water inlet temperature. Temperature will also be dependent on the output dial setting.

4L/min	33°C
6L/min	22°C
8L/min	17°C
10L/min	-
12L/min	-
14L/min	-

^Please note temperature rise is based on connection to 240V.

Our customer support representatives can be contacted on our free call number 1800 153 351 to assist in selecting the appropriate system/systems for your project.

DHCE 8/50 instantaneous single phase electric water heater



STIEBEL ELTRON is committed to our policy of continual improvement, some features may have subsequently been changed or even removed. Our advisors will be happy to consult with you regarding the currently applicable equipment features. The images used in this brochure are for reference only.